

1/3

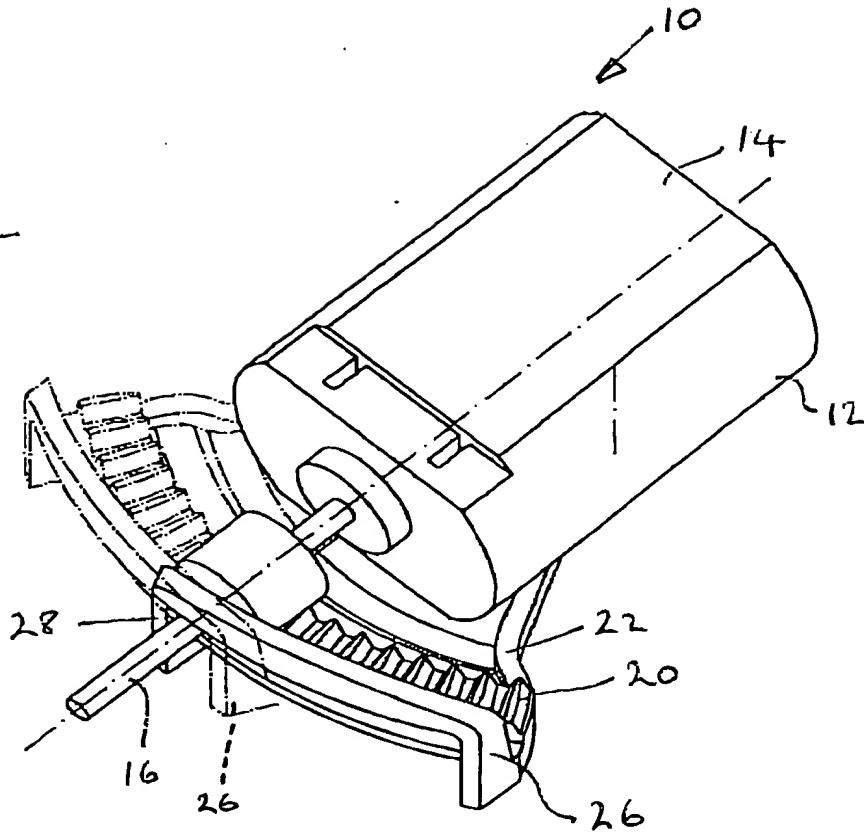
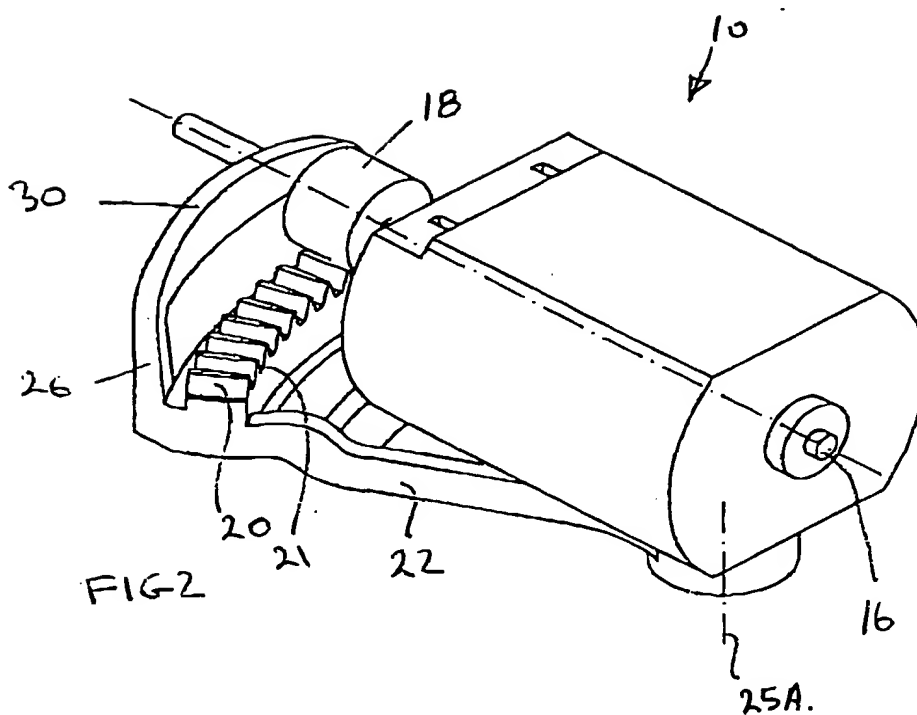


FIG 1

EM #EL668871506US  
60,130-1064

2/3



EM#EL66887150GUS  
60,130-1064

3/3

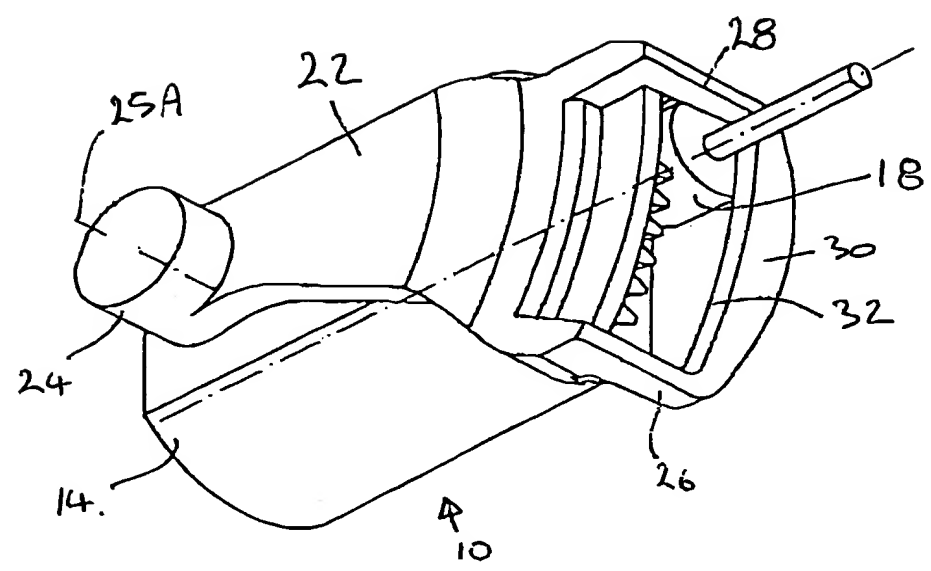


FIG. 3.